

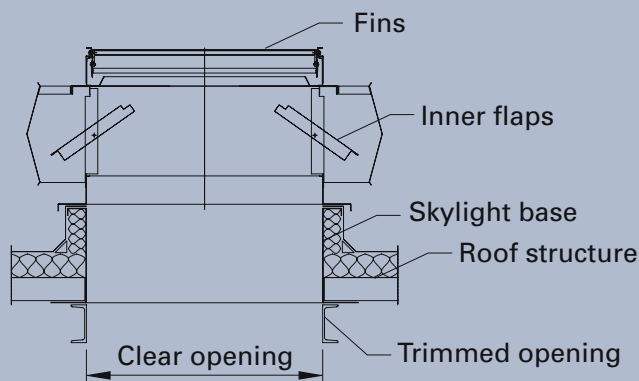
ESSMANN® All-weather Finned Ventilators



Product Description

ESSMANN® All-weather Finned Ventilators

Type ALL all-weather finned ventilator



ESSMANN all-weather finned ventilators have been specially developed for natural aeration and ventilation and fire ventilation. And they can be used in almost all weather conditions. The clever design of internal, weather-protected ventilation flaps ensures natural ventilation, even in rain and snow. They really show their outstanding performance capabilities in industrial and manufacturing premises with extremely high heat and thermal loads. Easily removable insect protection meshes or soundproofing can be integrated to generate considerable added value. They can be installed in any roof structures, even shed roofs.

Their outstanding characteristics include a long service life, reliability and a solid design structure made of aluminium, AlMg³, stainless steel and flame-resistant plastic. ESSMANN all-weather finned ventilators also comply with the requirements of DIN EN 12101-2 and are therefore approved as SHE systems.

The fins are opened and closed and the butterfly valves controlled pneumatically or electrically. Precise control thanks to rain and temperature sensors.

Technical specifications:

Dimensions

Width 500 – 2000 mm,
Length 550 – 2500 mm.

Equipment

installation heights	Inner flaps
670 mm	240 mm
775 mm	345 mm
980 mm	550 mm

Ventilation surface area (A_a value)

- Good weather ventilation
0.28 – 5.00 m²
- Rain-proof ventilation
0.26 – 2.75 m²
- Fire ventilation
0.18 – 3.25 m²

ESSMANN all-weather finned ventilators are available in different lengths and widths and are custom made.

Further information can be found at www.essmann.de

ESSMANN GmbH

Im Weingarten 2

D-32107 Bad Salzufflen

Telephone +49 (0) 5222.791-0

Telefax +49 (0) 5222.791-236

E-Mail info@essmann.de

www.essmann.de

A member of the **ESSMANN GROUP**.