

## ESSMANN® Renovation Gully

Perfect solutions for old gullies in need of renovation



The ESSMANN Gully Classic version of the renovation gully 2 is prepared with a pre-mounted bitumen collar for direct connection to the bitumen roof sheeting (PYE) and with a U-PVC flange for direct connection to all PVC, PEC and VAE roof sheeting, The PP version it is prepared for roof sheeting based on FPO/TPO. The tried-and-tested lip seal and the new pebble trap are included in the scope of supply.

### Special product feature:

Its extremely flat design makes it particularly suited for renovation without additional thermal insulation.

Nominal widths available for gully pot diameters:

DN 50:	55 - 70 mm
DN 70:	85 - 100 mm
DN 95:	100 - 130 mm
DN 125:	130 - 150 mm
DN 165:	165 - 200 mm

The standard 315 mm long gully body is also available in 600 mm pipe length.



### Alternatively:

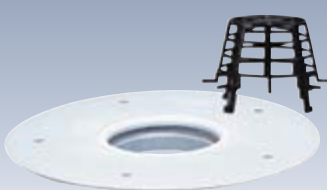
Renovation gully with bolt flange for roof sheeting with a thickness of at least 1.5 mm. Six stainless steels screws are used to mount the stainless steel bolt flange on the poly-propylene gully body. An additional o-ring located between the roof sheeting and the basic body ensures increased leak tightness.

Available nominal widths:

DN 95:	100 - 130 mm
DN 125:	130 - 150 mm
DN 165:	165 - 200 mm

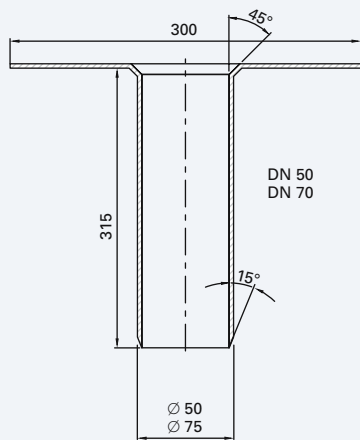
### Renovation gully washer

Suitable for all flat roof drainage systems with existing inlet of 150 – 250 mm. DN 125, Classic and bolt flange extension units for heights of 45 - 220 mm can be used, depending on the required level of insulation. Adhesive is used to mount the renovation gully washer on the old gully.

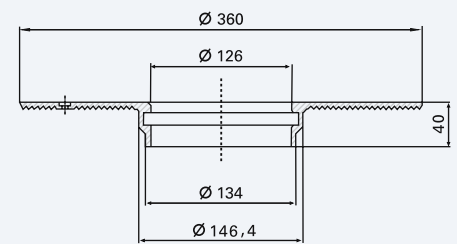
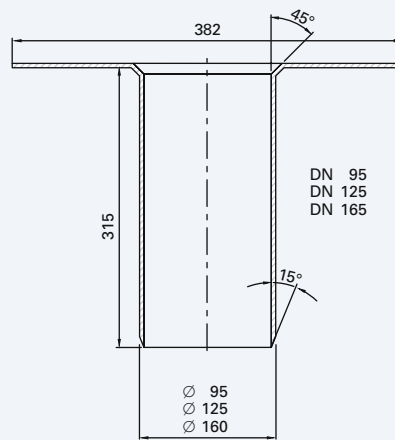


## ESSMANN® Renovation Gully

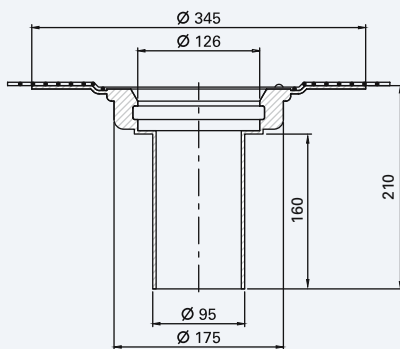
DN 50/70/95/125/165



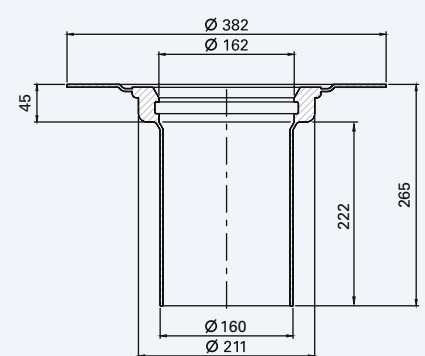
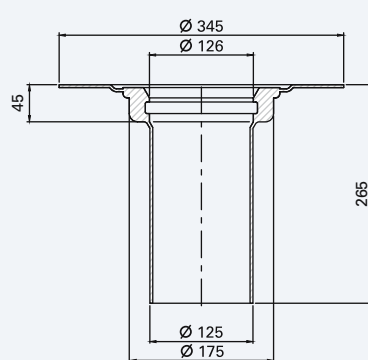
ESSMANN Renovation gully 2



ESSMANN Renovation gully washer



ESSMANN Renovation gully bolt flange



Valid from 1/2008 Subject to technical alterations.

DN = Ø		Inside diameter of old gully inlet	
		min.	max.
50	50	55 mm	70 mm
70	75	85 mm	100 mm
95	95	100 mm	130 mm
125	125	130 mm	150 mm
165	160	165 mm	200 mm

Renovation gully drainage values					
Accumulation height	DN 50	DN 95		DN 125	DN 165
	in DN 70 pipe	in DN 100 pipe	in DN 125 pipe	in DN 150 pipe	in DN 150 pipe
5	0.3	0.4	0.4	0.5	0.5
15	1.1	1.8	1.7	1.6	1.7
25	1.9	3.1	3.1	3.0	3.3
35	3.8	5.1	5.1	5.4	6.0
45	6.2	7.3	7.8	7.9	9.4
55	—	9.8	10.2	11.4	13.2
65	—	13.1	13.9	15.6	17.8

Further information can be found at [www.essmann.de](http://www.essmann.de)

ESSMANN GmbH  
 Im Weingarten 2  
 D-32107 Bad Salzflun  
 Telephone +49 (0)5222.791-0  
 Telefax +49 (0)5222.791-236  
 E-Mail [info@essmann.de](mailto:info@essmann.de)  
[www.essmann.de](http://www.essmann.de)