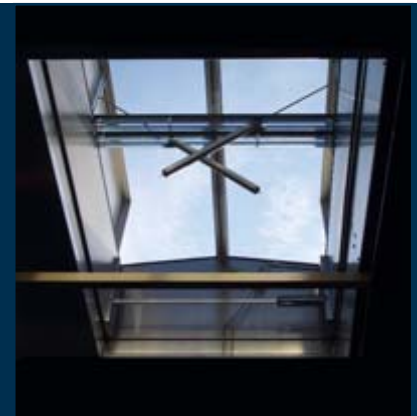
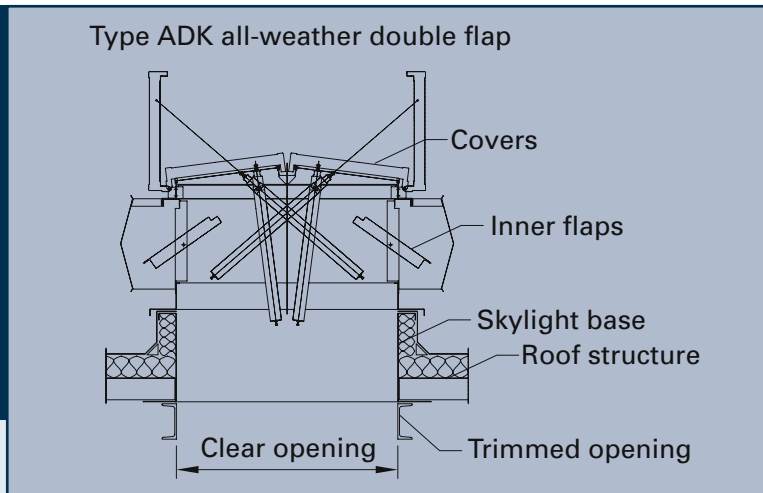


ESSMANN® All-weather Double Flap



Product Description

ESSMANN® All-weather Double Flap



The ESSMANN all-weather double flap has been specially developed for both natural aeration and ventilation, and fire ventilation. The combination of double flap and rain-proof side flap ventilation demonstrates outstanding performance, even in extreme situations.

Especially in heat-intensive companies where normal thermal ventilation is usually not sufficient as the double flaps have to be closed during rain, fog or snow. The rain-proof inner flaps of ESSMANN all-weather double flaps provide heavy-duty ventilation, making them the ideal solution.

A rain sensor system closes the outer flaps and the rain-proof inner flaps are opened when it starts to rain. Deflectors mounted on the outside further increase the volume of discharged air. Four different heights of inner flaps can be used, depending on the internal thermal load.

Furthermore, the all-weather double flap complies with the fire prevention requirements of DIN-EN 12101-2 for a smoke and heat extraction system. The unit comes complete with an Open/Close control mechanism. 24 V motors can also be installed to use ESSMANN all-weather double flaps for geometric smoke extraction.

An optional transparent pane is available for ESSMANN all-weather double flaps, making them ideal for providing natural daylight.

In addition to polycarbonate, the flaps are also available in aluminium or a combination of aluminium, steel and insulation to meet strict soundproofing requirements.

Further information can be found at www.essmann.de

ESSMANN GmbH
 Im Weingarten 2
 D-32107 Bad Salzufflen
 Telephone +49 (0)5222.791-0
 Telefax +49 (0)5222.791-236
 E-Mail info@essmann.de
www.essmann.de