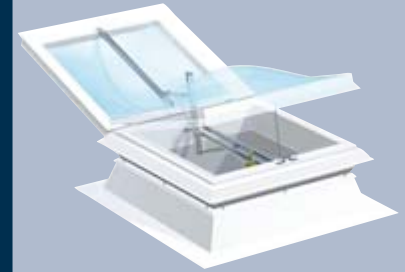
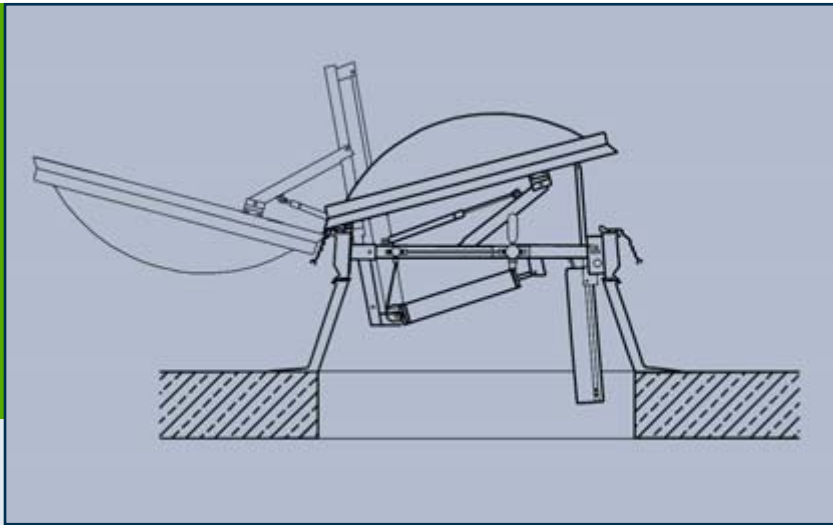


ESSMANN® SHE for Renovation Skylight Bases (RSB) Type F 6-D



Product Description

ESSMANN® SHE for Renovation Skylight Bases (RSB) Type F 6-D



ESSMANN renovation skylight base,
15 cm installation height

ESSMANN renovation skylight bases, 15 cm installation height, are made of insulated plastic profiles. They are fitted on the existing skylight base, the new roof sheeting is raised along the renovation skylight base and over-

lapped with the safety frame. A solution that ensures continuing full functionality of all components. Business interruptions are generally not necessary.

See also ESSMANN Product Data Sheet 2.8 (ESSMANN Renovation Set).

The bases can also be easily retro-fitted for daily ventilation or with smoke and heat extraction systems.

Available sizes				
Nominal size	Incident light surface m ²	Geometric access face m ²	A _a values in m ² with CTW*	
LK	100/100	0.64	1.00	0.650
KLK	100/100	0.81	1.00	0.750
KLK	100/200	1.70	2.00	1.500
KLK	100/250	2.14	2.50	1.875
LK	120/120	1.00	1.44	0.936
KLK	120/120	1.20	1.44	1.080
LK	120/150	1.30	1.80	1.170
LK	120/240	2.20	2.88	2.016
KLK	120/240	2.51	2.88	2.160
LK	150/150	1.69	2.25	1.575
KLK	150/150	1.95	2.25	1.688
LK	150/240	2.86	3.60	2.520
KLK	150/240	3.20	3.60	2.700
KLK	150/250	3.34	3.75	2.813
LK	180/240	3.52	4.32	3.024
KLK	180/240	3.89	4.32	3.240
KLK	180/250	4.06	4.50	3.375

*CTW = Corner training walls

Complies with European directives according to DIN EN 12101-2

Further sizes available on request. (Please also refer to the Table of A_a Values, Data Sheet 4.2). Subject to technical alterations.

Special sizes are available at any time on request.

Further information can be found at www.essmann.de

ESSMANN GmbH
Im Weingarten 2
D-32107 Bad Salzufflen
Telephone +49 (0)5222.791-0
Telefax +49 (0)5222.791-236
E-Mail info@essmann.de
www.essmann.de

A member of the **ESSMANN GROUP.**