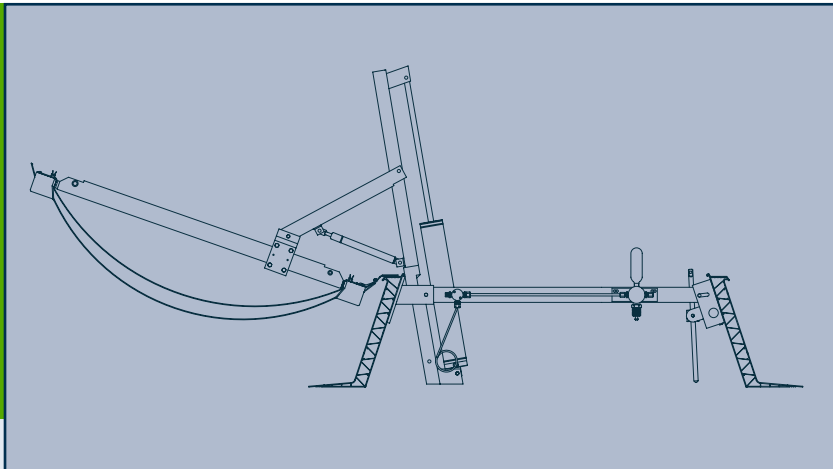


ESSMANN® SHE for Skylight Domes Type F 6-D



Product Description

ESSMANN® SHE for Skylight Domes Type F6-D



ESSMANN skylight domes made of opal-coloured acrylic glazing are encased in a sturdy U-PVC kerb frame in all sizes.

A single component performs three crucial functions:

1. Natural daylight illumination in rooms
2. Daily aeration and ventilation
3. Fire prevention as a smoke and heat extraction system (SHE) in compliance with DIN and VdS fire protection regulations

The skylight domes are connected to an insulated 30 cm high skylight base. The SHE is activated automatically at a temperature of 70°C/90°C or manually on emergency release stations.

Complies with European directives according to DIN EN 12101-2.

Available sizes				
Nominal size		Incident light surface m ²	Geometric access face m ²	A _a values in m ² with CTW*
KLK	100/100	0,81	1.00	0.750
KLK	100/200	1.70	2.00	1.500
KLK	100/250	2.14	2.50	1.875
LK	120/120	1.00	1.44	0.936
KLK	120/120	1.20	1.44	1.080
LK	120/150	1.30	1.80	1.170
LK	120/240	2.20	2.88	2.016
KLK	120/240	2.51	2.88	2.160
LK	150/150	1.69	2.25	1.575
KLK	150/150	1.95	2.25	1.688
LK	150/240	2.86	3.60	2.520
KLK	150/240	3.20	3.60	2.700
KLK	150/250	3.34	3.75	2.813
LK	180/240	3.52	4.32	3.024
KLK	180/240	3.89	4.32	3.240
KLK	180/250	4.06	4.50	3.375

* CTW = Corner training walls



Further sizes available on request. (Please also refer to the Table of A_a Values, Data Sheet 4.1). Subject to technical alterations.

Further information can be found at www.essmann.de

ESSMANN GmbH
 Im Weingarten 2
 D-32107 Bad Salzufflen
 Telephone +49 (0)5222.791-0
 Telefax +49 (0)5222.791-236
 E-Mail info@essmann.de
www.essmann.de

A member of the **ESSMANN GROUP.**