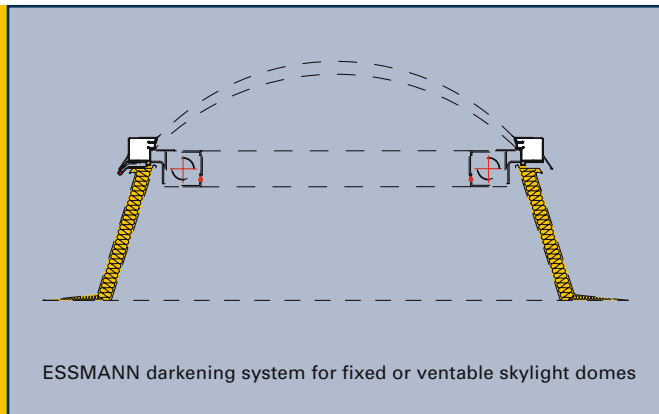


ESSMANN® Darkening System

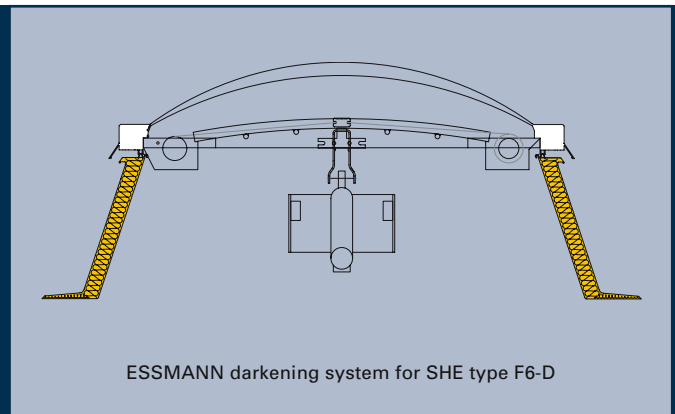


Product Description

ESSMANN® Darkening System (EVA)



ESSMANN darkening system for fixed or ventable skylight domes



ESSMANN darkening system for SHE type F6-D

The ESSMANN darkening system is integrated into the ESSMANN skylight dome classic using a special profile system.

It is used in areas that need both sunlight and a means of darkening the rooms for presentations, projections, etc. These include not only schools, conference rooms and exhibition areas, but also industrial facilities.

ESSMANN darkening system for fixed or ventable skylight domes:

The darkening system is made of a highly UV-resistant, light-proof fibre glass fabric and a special aluminium profile system, into which all the mechanical components are integrated. The fibre glass fabric is black on the inner side while the reverse side is coated with a heat-reflecting, aluminium-pigmented layer. The fibre glass fabric complies with European fire protection regulations. The profile system is coated in the same colour as the skylight dome, RAL 9010. The use of the darkening system does not impair the ventilation function and the use of geometric smoke extraction systems (24 V servomotor opener)!

ESSMANN darkening system for smoke and heat extraction system type F6-D:

The darkening system for SHE type F6-D is suitable for natural smoke extraction in industrial use.

This arched darkening system is fitted with a pulling device due to the fact that the smoke and heat extraction system is integrated into the skylight dome. Approx. 3% remaining incident light cannot be excluded on design grounds. The profile system and fibre glass fabric are identical to the version for fixed or ventable skylight domes.

Available sizes

Type	Nominal size version	
LK/KLK	100/100	–
LK/KLK	100/200	–
LK/KLK	100/250	–
LK	100/300	ZV*
LK/KLK	120/120	–
LK	120/150	–
LK	120/180	–
LK/KLK	120/240	–
LK	120/270	ZV*
LK	120/300	ZV*
LK	125/250	ZV*
LK	125/300	ZV*
LK/KLK	150/150	–
LK	150/180	–
LK	150/210	ZV*
LK	150/240	ZV*
LK/KLK	150/250	ZV*
LK	150/270	ZV*
LK	150/300	ZV*
LK	180/180	ZV*
LK/KLK	180/240	ZV*
LK/KLK	180/250	ZV*
LK	180/270	ZV*
LK	180/300	ZV*
LK	200/200	ZV*
LK	200/300	ZV*

*) ZV = Additional lock

Further information can be found at www.essmann.de

ESSMANN GmbH

Im Weingarten 2

D-32107 Bad Salzufflen

Telephone +49 (0) 5222.791-0

Telefax +49 (0) 5222.791-236

E-Mail info@essmann.de

www.essmann.de

A member of the **ESSMANN GROUP**.