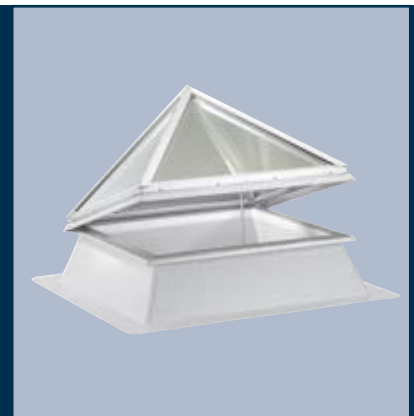
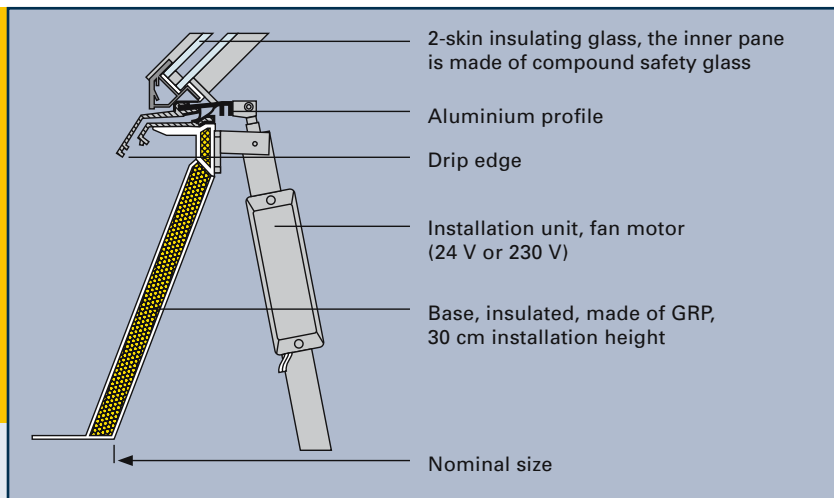


ESSMANN® Glass Pyramid



Product Description

ESSMANN® Glass Pyramid



ESSMANN glass pyramid type 2004/45

ESSMANN glass pyramids are designed as 4-sided, square pyramids with a 45° slope. They are made of high-quality 24 mm thick insulation glazing. The inner pane is made of compound safety glass. The bearing structure comprises a thermally separated aluminium profile.

The glass pyramids are prepared for daily aeration and ventilation using fan motors (24 V or 230 V) with a lifting height of 500 mm.

The glass pyramids are completely pre-assembled and mounted on an insulated 30 cm high GRP skylight base.

Glass pyramids larger than 180 x 180 cm are separated from the bases for delivery for weight reasons.

Available sizes

Nominal size cm x cm	Weight kg	Servo drive
100/100	44	Solo
120/120	63	Solo
150/150	99	Tandem
180/180	142	Tandem
200/200	175	Tandem
ESSMANN glass pyramids with GRP base, 30 cm		

All of the features at a glance:

- Insulating glass, U-value 1.30 W/m² K
- Top quality appearance
- High quality insulating glass for excellent light transmission
- Protected glazing rebate design
- Light transmission: 82%
- Total energy transmission: 76%
- Sound insulation: 35 dB
- Prepared for daily aeration and ventilation
- Hard roofing

Further information can be found at www.essmann.de

ESSMANN GmbH
 Im Weingarten 2
 D-32107 Bad Salzflen
 Telephone +49 (0)5222.791-0
 Telefax +49 (0)5222.791-236
 E-Mail info@essmann.de
www.essmann.de

A member of the **ESSMANN GROUP**.