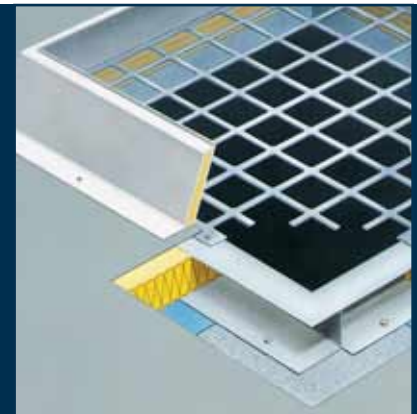
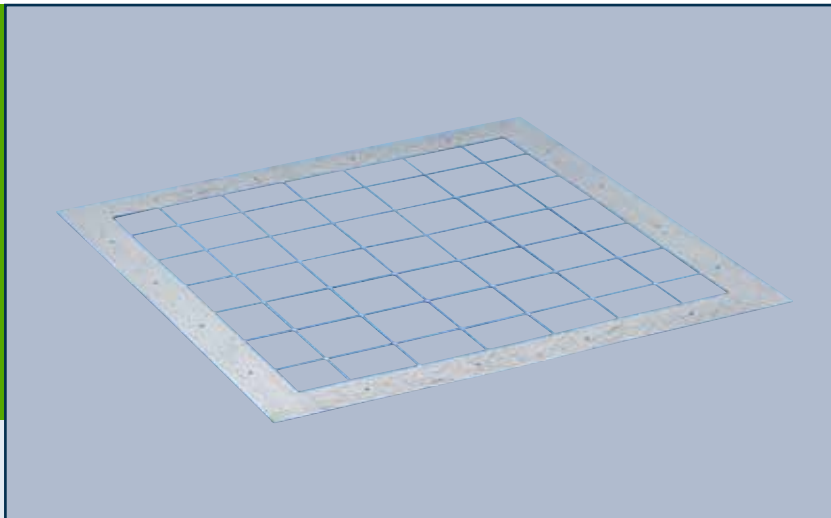


ESSMANN® Fall-through Protection



Product Description

ESSMANN® Fall-through Protection

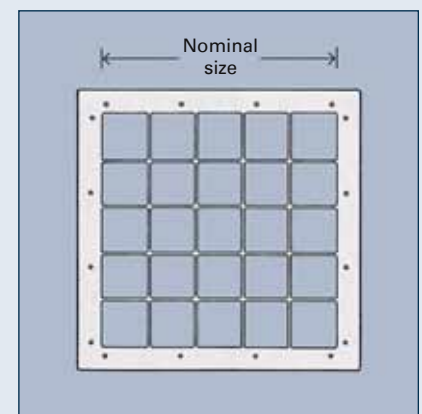
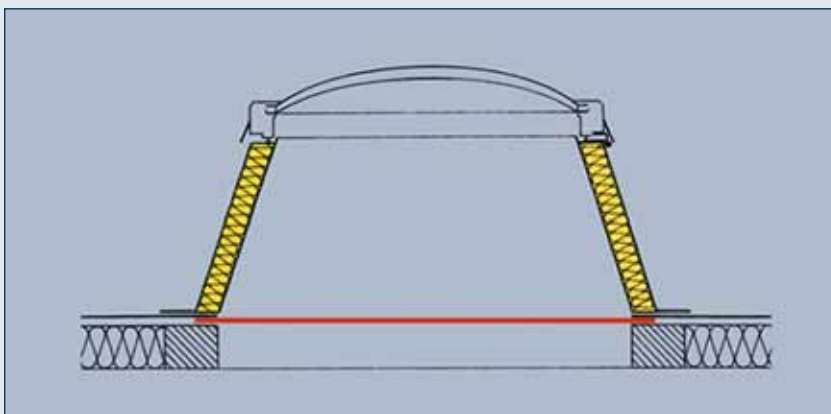


ESSMANN fall-through protection is built into the roofing membrane underneath the skylight base.

Prevents humans and larger objects from falling through the skylight dome. This TÜV-certified product is especially important on walk-on flat roofs, terraces and to ensure safety when performing work on roofs.

ESSMANN fall-through protection is a galvanised protective grate made from a single piece of material and can be used for both ESSMANN skylight domes and domes manufactured by other companies.

The installation of the protective grate does not impair the opening functions of ESSMANN skylight domes for ventilation or smoke and heat extraction purposes. The fall-through protection can be colour-coated on site.



ESSMANN fall-through protection is available in two versions: for on-site installation beneath skylight base (Type LK - L) or for retrofitting (Type LK - K).

The accident prevention regulation for „building work“ UVV 22 (VBG 37) states that fall-through protection must be installed for safety purposes when work is performed on roofs.



Building technical committee
Testing and certification office in
DGUV test

Further information can be found at www.essmann.de

ESSMANN GmbH
Im Weingarten 2
D-32107 Bad Salzufflen
Telephone +49(0)5222.791-0
Telefax +49(0)5222.791-236
E-Mail info@essmann.de
www.essmann.de

A member of the **ESSMANN GROUP**.