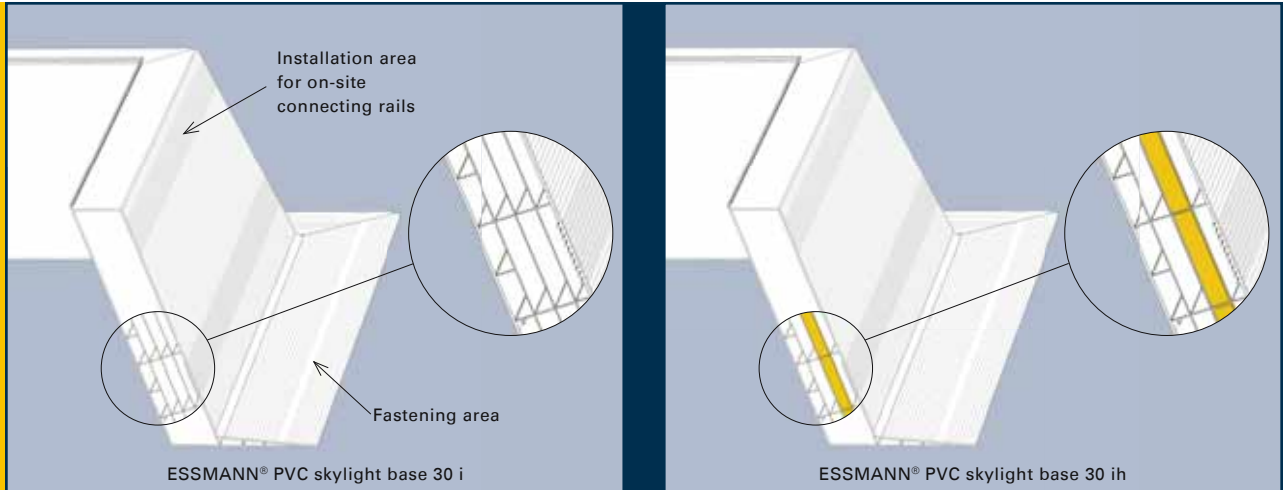


## ESSMANN® PVC Skylight Base 30 i and ih ESSMANN® PVC Skylight Base 50 i and ih



# Product Description

ESSMANN® PVC Skylight Base 30 i and ih  
ESSMANN® PVC Skylight Base 50 i and ih



## The innovation for enhanced heat insulation requirements on flat roofs, available in installation heights of 30 and 50 cm.

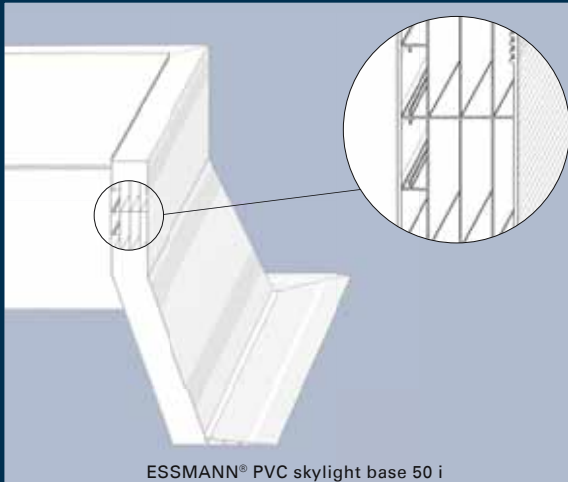
The ESSMANN PVC skylight bases made of U-PVC are system components for the quick and simple installation of skylight domes, installation units and double flaps. They are installed directly on the bearing structure.

The ESSMANN PVC skylight bases 30 and 50 are available in two versions: "i" with the ESSMANN multi-chamber system, and "ih" with the innovative ESSMANN ih heat insulation system.

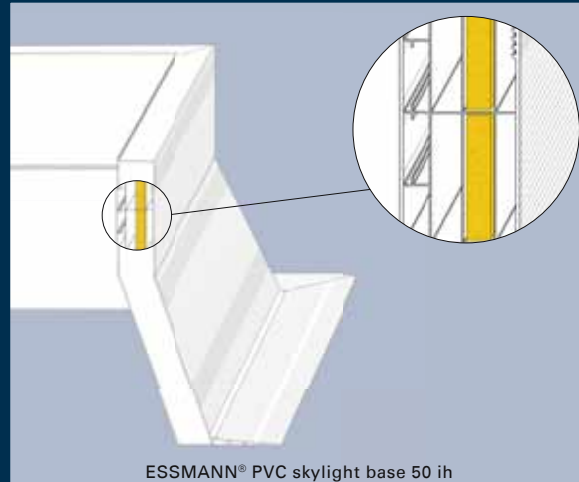
ESSMANN PVC skylight bases 30 i and ih as well as 50 i and ih are suitable both for the homogeneous connection of PVC, PEC, VAE and EVA roof sheeting and for the **full-surface** integration of bitumen roof sheeting.

In addition, the fastening areas for integrating the skylight bases are very clearly marked.

	PVC SB 30 i	PVC SB 30 ih	PVC SB 50 i
<b>U value (skylight base) <math>U_{kr}</math></b>	1.2 W/(m <sup>2</sup> K)	0.9 W/(m <sup>2</sup> K)	1.3 W/(m <sup>2</sup> K)
<b>Aerodynamic extraction face <math>A_a</math></b>	0.6-3.9 m <sup>2</sup>	0.6-3.9 m <sup>2</sup>	0.6-4.3 m <sup>2</sup>
<b>Geometric extraction face <math>A_g</math>/ Incident light area</b>	0.16-5.04 m <sup>2</sup>	0.16-5.04 m <sup>2</sup>	0.16-5.04 m <sup>2</sup>
<b>Fire behaviour</b>	E	E	E
<b>Fire behaviour</b>	B2	B2	B2



ESSMANN® PVC skylight base 50 i



ESSMANN® PVC skylight base 50 ih

All ESSMANN skylight bases are suitable for installation on the flat roofs and roofs of industrial, commercial and retail buildings up to a roof slope of max. 25°. **In addition, thanks to its installation height of 50 cm, the ESSMANN PVC skylight base 50 i and ih is excellently equipped to satisfy present-day requirements for enhanced heat insulation thickness on the roof. The versions with 50 cm installation height are also capable of meeting the challenges posed by insulation on sloping roofs.**

The skylight bases can be installed on any substructure that has been built to prevailing standards. The choice of fastening material must, however, be right for the corresponding subsurface.

ESSMANN PVC skylight bases 30 i and ih as well as 50 i and ih can be used for daylight illumination, aeration and ventilation. In nominal sizes of 100/100 or larger, they can also be used for smoke and heat extraction.

PVC SB 50 ih	Standard
1.0 W/(m <sup>2</sup> K)	DIN EN 1873 <sup>1), 2)</sup>
0.6-4.3 m <sup>2</sup>	DIN EN 12101-2 <sup>3)</sup>
0.16-5.04 m <sup>2</sup>	
E	DIN EN 13501-1
B2	DIN 4102

#### Key

\* insulation

\*\* insulation high

1) Calculated by Fraunhofer Institute acc. to their test report

P7-205/2010

2) U values are indicated in combination with different skylight domes using ESSMANN's U value calculation tool

3) When used as a component of the smoke and heat extraction system from a nominal size of 100/100 or larger



## Product Description

ESSMANN® PVC Skylight Base 30 i and ih  
ESSMANN® PVC Skylight Base 50 i and ih

### The benefits of the ESSMANN PVC skylight bases 30 and 50 at a glance:

- Version with 50 cm installation height to meet requirements for increased thickness of heat insulation on the roof
- Depending on the version, U value  $U_{kr}$  up to  $0.9 \text{ W}/(\text{m}^2\text{K})^*$  and design that is free of thermal bridges
- System platform with 2 levels of heat insulation (i and ih) to meet the property-specific requirements of customers
- Compatible with all ESSMANN skylight domes and many other ESSMANN system components
- Customised sizes available for renovation solutions

\*Test certificate issued by Fraunhofer Institute



The ESSMANN PVC skylight bases with installation heights of 30 and 50 cm can be supplied with up to two ESSMANN fall arrest safety consoles (FAS) to provide fall protection!

Further information can be found at [www.essmann.de](http://www.essmann.de)

ESSMANN GmbH  
Im Weingarten 2  
D-32107 Bad Salzufflen  
Telephone +49 (0) 5222.791-0  
Fax +49 (0) 5222.791-236  
E-Mail [info@essmann.de](mailto:info@essmann.de)  
[www.essmann.de](http://www.essmann.de)